

Drumlins Park Wind Farm



Community Consultation & Stakeholder Engagement Report

Table of Contents

1.0	Introduction	1
1.1	Background to Community Consultation	1
1.2	Objectives of Community Consultation.....	2
2.0	Consultation Process	2
2.1	Consultation with Local Representatives	2
2.2	Consultation with Local Community	2
2.2.1	Promotion of Public Consultation Events	3
2.2.2	Public Consultation Events – Day One	3
2.2.3	Public Consultation Events – Day Two	4
2.2.4	Public Consultation Events – Day Three	4
2.2.5	Public Consultation Overview/Issues Raised	4
2.3	Impact of Community Consultation on Proposed Development	5
2.3.1	Proximity of Development to Residential Dwellings.....	5
2.3.2	Ecological Sensitivities.....	5
2.3.3	Visual Impact.....	5
2.3.4	Noise	5
2.3.5	Shadow Flicker	6
2.3.6	Road Infrastructure	6
2.3.7	Telecommunications.....	6
2.4	Ongoing Consultation.....	7
2.4.1	Contact Details	7
2.5	Socio-Economic Benefits	7
2.5.1	Short Term	7
2.5.2	Long Term	7
2.5.3	Neighbour Scheme.....	8
2.5.4	Renewable Electricity Support Scheme (RESS)/Community Fund.....	8
3.0	Conclusions.....	8

1.0 INTRODUCTION

This Community Consultation and Stakeholder Engagement Report has been produced to meet the objectives for the Drumlins Park Wind Farm project under a model of continuous community engagement during all phases of the proposed development. It further demonstrates Drumlins Park Limited's (DPL) commitment to a program of genuine positive engagement with the local community and stakeholders, which values their continuous contribution and involvement.

The purpose of this report is to transparently demonstrate the approach DPL has taken since project inception and to outline the principles and objectives of the approach to consultation and stakeholder engagement.

This report specifically relates to the development, construction and operational phases of the project and includes a detailed Community Engagement and Stakeholder Management (CESM) plan. This plan will be continually reviewed and updated throughout the lifetime of the proposed development.

This report has been prepared in line with the requirements set out in the *Review of the Wind Energy Development Guidelines 2006 – Preferred Draft Approach*¹. The Preferred Draft Approach states that planning applications for wind farm developments “*must contain a Community Report prepared by the applicant which will specify how the final proposal reflects community consultation. The Community Report must also outline steps taken to ensure that the proposed development will be of enduring economic benefit to the communities concerned*”.

1.1 Background to Community Consultation

Prior to the commencement of community consultation, DPL engaged the services of SLR Consulting (Environmental and Advisory Solutions Experts) to organise and undertake a series of internal community consultation workshops and to develop a Community Liaison Strategy. These workshops were arranged to educate DPL personnel and to develop community consultation skills for those who have and will continue to work with the community on the ground. The Project Manager, Community Liaison Officers, and members of the assigned community engagement team participated in the workshops which were carried out in 2018. On the back of the community consultation workshops, SLR and DPL developed a toolkit for stakeholder engagement as part of the Community Liaison Strategy which has been utilised throughout this consultation process. It should be noted that while DPL utilised a number of the stakeholder management toolkits to record contact details and issues raised by the public, in accordance with the General Data Protection Regulations 2016, this information cannot be made publicly available.

This report sets out how DPL carried out the community consultation process in the area of the proposed wind farm. DPL have carried out extensive consultation in relation to the proposed development with members of the public, including residents, business owners, community groups, schools, church bodies and local representatives. The objective of the community consultation process is to ensure that the views and concerns of the local community have been addressed and considered in the project design process.

In accordance with the *Code of Practice for Wind Energy Development in Ireland – Guidelines for Community Engagement* (2016), Mr. Steven Drury was appointed as Community Liaison Officer (CLO) for the Drumlins Park Wind Farm. The CLO has the authority to make publically available full, clear and comprehensive information about the project during key milestone stages of development

¹ Draft Guidelines for Wind Energy Development in Ireland published in June 2017

and the resources to receive, record, investigate, respond to and address queries and complaints during the different stages of the project development and operation.

1.2 Objectives of Community Consultation

The overriding philosophy of DPL is to manage communications and to proactively disseminate information in a planned and systematic manner, to consult with stakeholders at key stages of the project life cycle, and to continuously evaluate the effectiveness of the strategy and make adjustments to increase its effectiveness over all phases. The objectives of this plan are therefore as follows:

- Describe the approach to community engagement and stakeholder management for the project;
- Identify how community engagement and stakeholder management issues pertaining to the proposed development have been managed;
- Identify the main stakeholders, their issues and concerns, influence, and participation levels; and
- Identify key messages to be used in communicating with stakeholders and the project phases where they are likely to be impacted or interested.

This plan identifies activities that will facilitate a flow of information between DPL, the community and stakeholders throughout the life of the project. The plan will be regularly reviewed and will continue to be iteratively shaped and adapted to reflect the needs of the community and key stakeholders as the partnership grows and changes and new issues emerge.

2.0 CONSULTATION PROCESS

The approach to consultation adopted by DPL comprised a range of methodologies including:

- Consultation with local representatives,
- Door-to-door visits to local residences and leaflet drops,
- Meetings with the Drumlins Wind Farm Community Group, and
- Public consultation events.

2.1 Consultation with Local Representatives

Local elected representatives within the Ballybay–Clones Municipal District were initially contacted telephone to discuss the project and obtain initial feedback. The nature and extent of the proposed development was discussed with each representative and each call was followed up with an email (**Appendix 1**) which included detailed information on the proposed development, including contact details for further engagement.

All Oireachtas members from the Cavan/Monaghan constituency were consulted with and information brochures were provided.

2.2 Consultation with Local Community

Whilst it is noted that community consultation is currently not a statutory requirement, it is an important element of the project and, as noted above, DPL recognise the importance of an extensive community consultation process and the benefit that community involvement brings to the proposed development as a whole. At the early stages of the community consultation process, the

DPL community engagement team visited local residents within 1.8km of the proposed development. The 1.8km criteria was selected as it represented 10-times the overall tip height of the proposed turbines which had emerged as the preferred turbine height based on the assessment of project alternatives. In total, over 120 dwellings were visited as part of this door-to-door consultation process. In addition, information brochures were delivered to local shops, schools, childcare facilities and provided to community groups.

Local residents were advised of the intention to develop a wind energy project in the area and were provided with initial design details of the project. They were also advised of the intention to carry out community consultation meetings and details of where to find out further information. All residents were provided with contact details of the community engagement team who could be contacted with any further queries which may arise.

The community engagement team carried out numerous visits to these dwellings between January 2019 and June 2019. Between January and March 2019, a small A5 brochure (see **Appendix 2**) was distributed to each dwelling, while from April 2019 onwards a detailed A4 project brochure (see **Appendix 3**) was distributed.

It is important to note that at the early stages of the project design, the proposed development consisted of a 7 turbine wind farm. In April 2019, following environmental appraisal of lands adjacent to the project, an additional turbine was added to the project. The detailed A4 brochure, distributed from April 2019 onwards, incorporates details of the additional turbine and contains the following information:

- Location map of the proposed development,
- Information on Drumlins Park Ltd,
- Details on number & location of proposed turbines,
- Details on overall proposed project,
- The need for wind farm capacity,
- How wind turbines operate,
- Safety and the Environment,
- Benefits of the development at local, regional & national level,
- Project milestones & timelines, and
- Local impacts & community engagement,

The Points of contact, including phone numbers and email address of the CLO together with the website details (<https://www.drumlinsparkwindfarm.ie/>) were also provided.

2.2.1 Promotion of Public Consultation Events

A number of mechanisms were used to promote the public consultation events including a group texting service to those who provided their contact details during household visits; the proposed development website; poster advertisements which were erected in community venues, schools, childcare facilities and shops; and at previous consultation events. An advertisement was also placed in a local childcare facility publication which was distributed in the wider area.

2.2.2 Public Consultation Events – Day One

The first of three public consultation events took place in the Acorn Centre, Newbliss from 12 noon to 8 pm on 30th April 2019. The time and venue was chosen due to its prominence in the local community; accessibility to individuals and community groups; the availability of appropriate media

technology for the display of maps, plans and full illustrations and/or information leaflets in an understandable format; and to maximise participation.

The event attracted a large number of people who engaged fully with the three members from DPL's community engagement team. Over the course of the day, approximately 50 people attended the event. Of these, 27 of these chose to leave their contact details and requested to be contacted with further updates of the project development. Members of the public who attended the event were shown a visual PowerPoint presentation on two screens as well as detailed mapping of the proposed development and photomontage images from key viewpoints in the surrounding area. Updated project brochures, in light of the recent project design revisions, were also distributed to everyone present for discussion.

2.2.3 Public Consultation Events – Day Two

In advance of the second consultation event, all community groups, schools (including childcare facilities), religious groups and sporting organisations in the area were contacted in person and invited to the event on 28th May 2019, again held in the Acorn Centre. 46 individuals, some of whom represented other community groups, attended the event.

One Newbliss childcare facility attended the event and teaching staff/pupils interacted in a questions and answer session with the community engagement team.

2.2.4 Public Consultation Events – Day Three

The third consultation event was rescheduled for 13th August 2019 in the Acorn Centre Newbliss from 12 noon until 8 pm where another large attendance (over 50 people) was recorded. The community engagement team met some smaller groups who requested further clarity on noise and possible telecommunication interference that may occur as a result of the proposed development and how such issues will be monitored and rectified. The community engagement team provided responses to each of the questions posed and clarified any follow up queries which were raised. All attendees were again provided with updated project information as relevant.

2.2.5 Public Consultation Overview/Issues Raised

Members of the public were invited to make comments, raise any concerns and opinions regarding the proposed development during the door-to-door consultations and during the consultation events. Local residents and event attendees, including schools, were also given the opportunity to put their names forward for a visit to an operational local wind farm development. DPL intend to facilitate this visit in the coming months.

The main issues raised during the consultation process are as follows:

- Proximity of the proposed development to houses,
- Noise,
- Community Fund & benefits,
- Visual Impact,
- Shadow Flicker,
- Ecological sensitivity,
- Grid Access,
- Road Infrastructure, and
- Cumulative Impact.

2.3 Impact of Community Consultation on Proposed Development

The feedback received from the public consultation process has been a key contributory factor in shaping and influencing the design process of the proposed development, in conjunction with other scoping activities and environmental evaluations.

As identified above, some key issues have been identified during the public consultation phase. These issues are outlined below and where appropriate comments have been made to address these issues or highlight where changes have been made to the proposed development as a direct result of the feedback received.

2.3.1 Proximity of Development to Residential Dwellings

The proximity of the proposed wind turbines was raised by numerous members of the public, both at the public information events and during door-to-door visits. Residents and members of the public were advised that one of the key initial criteria for the selection of this site as a feasible location was that significant separation distances could be provided between wind turbines and dwellings. The public were also advised that the endeavours to maximise these distances would also have to be considered in the context of environmental constraints within the site and the requisite spacing between turbines to ensure operational performance. DPL did, however, commit to review the precise turbine locations on a number of occasions and, subsequently, some alterations to the siting of turbines was made.

2.3.2 Ecological Sensitivities

The ecological sensitivity of the site was also raised by a number of concerned residents. In response, DPL advised that extensive ecological and biodiversity surveying; including birds, bats, mammals, aquatic species and habitats; was ongoing across the site to inform the Environmental Impact Assessment Report (EIAR) and that no notable sensitivities had been identified. While no specific alterations to the project design were brought about in relation to this point, DPL advised stakeholders that any measures which were deemed necessary to avoid any likely significant impacts and ensure the protection of any species would be implemented in full.

2.3.3 Visual Impact

Visual impact was a common concern raised during the community consultation process. The issue of visual impact is also closely related to the proximity of the proposed development to dwellings. The process of maximising the separation distance between dwellings and wind turbines also has the effect of reducing the potential for significant visual impact.

2.3.4 Noise

Similar to visual impact, the maximisation of setback distances between the wind turbines and dwellings also has the effect of lowering the potential for noise effects. Noise was again a common theme of the consultation process. Where concerns were raised, DPL were able to advise interested parties that, based on initial noise prediction modelling of dwellings within 1.8km of a wind turbine, noise levels would be compliant with the limits set out in the *Wind Energy Development Guidelines for Planning Authorities 2006*. In addition, DPL also advised that the development would also be required, by law, to comply with any planning conditions set out by the Planning Authority or An Bord Pleanála.

2.3.5 Shadow Flicker

The potential for adverse impacts at local dwellings as a result of shadow flicker was raised by a small number of local residents. DPL advised that the ongoing iterative project design process would seek to minimise shadow flicker potential through the appropriate siting of turbines and that, based on initial shadow flicker prediction modelling of dwellings within 1.8km of a wind turbine, significant levels of shadow flicker were not anticipated to occur. DPL also advised that, in the event of any exceedance of the limits set out in the *Wind Energy Development Guidelines for Planning Authorities 2006*, software/technological measures would be installed in the wind turbines to reduce the occurrence of shadow flicker to acceptable levels.

2.3.6 Road Infrastructure

A substantial number of local residents and parties expressed interest as to how the turbine components could be delivered to the site and whether roads would be closed for extended periods during the delivery process. DPL advised that the road network was generally capable of accommodating abnormal HGVs subject to some minor upgrade works, including widening of bends. Interested parties were also advised that, to ensure any disruption is minimised to the greatest possible extent, the delivery of large components would be undertaken at night.

At the early stage of the consultation process, some residents were advised that 2 no. access options were being considered; 1) the upgrade of a number of local roads to obtain access to the site and 2) the construction of a 1.5km access track across private lands. These options were discussed and DPL were advised that it would be preferable to avoid substantial public road upgrade works if it would result in the closure of these roads and the associated disruption to local residents and landowners. Following this early consultation response, and in conjunction with the environmental scoping process which also identified the potential for disruption as a result of extensive local road upgrades, DPL decided to proceed with the 1.5km off-road access track and discounted the alternative option.

2.3.7 Telecommunications

The potential for interference with telecommunication signals; including television, radio, broadband and mobile phone signals; was the most important issue raised by many local residents and stakeholders. The Drumlins Wind Farm Community Group raised this issue as the most significant concern of local residents. DPL advised that steps to avoid signal interference was a key criterion which had been incorporated into the project design from an early stage. An early stage feasibility study of the project concluded that significant impacts on telecommunications was unlikely given the presence of numerous signal sources in the landscape and the remedial measures which could be installed should an issue arise.

Secondly, the separate scoping exercise during which numerous service providers in the region were consulted with to determine the potential for interference to occur. No responses received highlighted the potential for significant effects. 2rn (formerly RTENL), who are responsible for the distribution and transmission of television and radio services, noted that the proposed development site is located near areas of “*marginal coverage*” and that there is a “*strong possibility*” for interference to occur. In light of this, 2rn recommended that a pre-construction survey of signal strength in the area is undertaken and a protocol agreement entered into. Subsequent to this correspondence, DPL have entered into the protocol agreement which sets out the methods which must be followed in the event of instances of interference. A commitment to undertake a pre-

construction survey to determine areas of low signal strength has been incorporated into the EIAR and will allow for further understanding of the potential for effects.

Notwithstanding the above, all concerned residents were advised that a range of technologies are available to fully mitigate any instances of interference. The implementation of such technologies is common practice near wind farms and has been successfully installed on numerous projects nationwide. DPL also committed to investigate telecommunication interference issues brought about as a result of the proposed development as expediently as possible. Where the wind farm is assessed to be causing transmission problems, the issue will be resolved as soon as is practicable.

2.4 Ongoing Consultation

2.4.1 Contact Details

Contact details of the community engagement team have been provided to the public throughout the door-to-door consultations and at consultation events.

In January 2019, DPL launched a dedicated project website, www.drumlinsparkwindfarm.ie. The website is an additional communications channel to inform members of the public about the proposed development. Details on the proposed location, layout drawings and dedicated contact details for the project can be found on the website.

2.5 Socio-Economic Benefits

DPL acknowledges that the Code of Practice for Wind Energy Development in Ireland stipulates that wind energy developers should identify enduring economic and socio-economic benefit to the communities concerned from the proposed development.

2.5.1 Short Term

During construction, it is estimated that at peak construction approximately 120 jobs will be created. This will, in turn, have a beneficial effect on the local economy through the generation of local employment and the potential for increased expenditure in local shops and service providers. At a regional level additional employment will be created through the supply of services and materials, such as aggregates and construction materials, to the wind farm.

Separately, a grant of planning permission is likely to be accompanied by a requirement to pay a development contribution to Monaghan County Council in respect of public infrastructure. This substantial payment will result in benefits to the local community such as upgrading of roads, waste water facilities, water supply infrastructure, community facilities and amenities.

2.5.2 Long Term

Employment

Once operational, the wind farm will support 6-8 long term, high quality technical jobs in operation and maintenance.

Rates

Annual rates paid by the wind farm to Monaghan County Council will support the provision of local services. It is currently estimated that the annual rates payment will be €990,000.

2.5.3 Neighbour Scheme

The proposed Neighbour Scheme will offer electricity bill payers living within 1.8km of a wind turbine an annual contribution of €1,000 towards their electricity usage.

2.5.4 Renewable Electricity Support Scheme (RESS)/Community Fund

DPL is committed to operating a community benefit fund in accordance with the Irish Wind Energy Association (IWEA) best practice and it will be available to the community at a rate of €2 euro per megawatt hour (MWh) produced resulting in a investment of approximately €270,000 a year for up to 15 years. There will also be a community investment element available where there will be an opportunity for all local residents to participate if they wish to do so. The structure for the investment scheme will form part of the Renewable Energy Support Scheme (RESS) design; however, the precise arrangements for the RESS have not yet been published.

The fund will be administered by a committee set up by the operations department of DPL. Members of the local community are also likely to be appointed to the committee, thus allowing the local community to prioritise the fund for the projects which matter most. Local community groups will be invited to submit funding requests to the committee and preference will be given to local projects, thereby contributing to the vitality of the local population, and to projects which are considered to represent an environmental benefit or incorporate a renewable energy into the project. This fund will be made available, and distributed annually, for up to 15 years. A full transparent record of all projects funded and made publicly accessible on the website and included in periodic newsletters to the local community.

3.0 CONCLUSIONS

DPL has actively engaged, consulted and maintained dialogue with the local community and other stakeholders from an early stage in this project. The consultation process has been an extremely valuable exercise and has provided a detailed and enhanced understanding of the key issues and concerns of the local community, which have ultimately help shape the final project design.

The objective of the of the public consultation process was to ensure the widest possible consultation with individuals, communities and other stakeholders from the commencement of the project in observance with the best industry practices. Every effort was made to identify those to engage with, in a flexible and facilitative manner, in order to build strong and effective relationships with those that will live in the wider vicinity of the proposed wind farm.

Community engagement will be maintained throughout the different stages of a project, from the initial scoping, feasibility and concept stages, right through construction to the entirety of the operational phase and through to decommissioning, should planning permission be granted.

During the planning stage, the CLO will remain available to the community in relation to any local issues and requirements that may arise, and respond in a timely manner. It is intended that this best-in-class approach to good-neighbour community consultation will be continued throughout the construction and operation stage, and included in an updated Community Liaison Strategy as part of a wider Construction Stage and Operation Stage Management Plan.

DPL will eagerly prioritise community issues, particularly during construction phase e.g. advance warning of any temporary road closures, management of traffic flows and execution of all required mitigation measures, and will keep the local community apprised of the net economic benefits of the project, particularly for the local community, through newsletters and periodic updates on the website.

Post-Construction and during the operation stage, DPL shall submit an annual report to the Local Authority of all communications and information provided, queries received, responses to same, recording if these are ongoing or resolved, which will be published on a dedicated and transparent register, available online.

Appendix 1 – Correspondence with Local Elected Representatives

Simon Carleton

From: Malachy Magee [malachy@galetechenergy.com]
Sent: Wednesday 13 February 2019 11:13
To: 'seamus.coyle@cllr.monaghancoco.ie'
Cc: 'James Carville'; 'Steven Drury'
Subject: Drumlins Park Proposed Wind Farm -Consultation
Attachments: Drumlins Park Information Sheet.pdf

Hi Seamus,

Thank you for taking my call yesterday about our proposed wind farm development at Killyleg and surrounding townlands in the Drum- Newbliss area known as Drumlins Park Wind Farm. I enclose a soft copy of our information leaflet attached for your information.

As I advised we have carried out our initial feasibility and baseline surveys and are presently undergoing community consultation and stakeholder engagement in the overall area. We will update our website www.drumlinsparkwindfarm.ie as further information is confirmed about our layout and engineering design proposals for our up to 8 Turbine wind farm.

In order to provide Councillors within the Municipal District of Ballybay - Clones with the most detailed up to date information, we propose to make a presentation to you all at an agreeable time for you in March/ April.

If in the meantime if you or any member of the community, you meet is seeking any further information please do not hesitate to contact me or one of my colleagues listed. All contact details are listed on our Information Leaflet and Website. A community fund in accordance with the Irish Wind Energy Association (IWEA) best practice will be available and is also detailed on our website and Information Leaflet.

Thanking you,

Kind regards,

Malachy Magee
Business Development
Community Relations Manager

Galetech Energy
Clondargan
Stradone,
Co. Cavan
Ireland
H12 NV06
Tel. +353 (0) 49 555 5050
Mobile. +353 (0) 87 669 0803

malachy@galetechenergy.com
www.galetechenergy.com

This communication contains information that is confidential and may also be privileged. It is for the exclusive use of the intended recipient(s). If you are not the intended recipient please note that any distribution, copying or use of this communication or the information in it is strictly prohibited. If you received this communication in error please notify by email or telephone +353(0)49 5555050 and then delete the email and any copies of it. Thank you.

Simon Carleton

From: Malachy Magee [malachy@galetechenergy.com]
Sent: Wednesday 13 February 2019 11:13
To: 'pat.treanor@cllr.monaghancoco.ie'
Cc: 'James Carville'; 'Steven Drury'
Subject: Drumlins Park Proposed Wind Farm -Consultation
Attachments: Drumlins Park Information Sheet.pdf

Hi Pat,

Thank you for taking my call yesterday about our proposed wind farm development at Killyleg and surrounding townlands in the Drum- Newbliss area known as Drumlins Park Wind Farm. I enclose a soft copy of our information leaflet attached for your information.

As I advised we have carried out our initial feasibility and baseline surveys and are presently undergoing community consultation and stakeholder engagement in the overall area. We will update our website www.drumlinsparkwindfarm.ie as further information is confirmed about our layout and engineering design proposals for our up to 8 Turbine wind farm.

In order to provide Councillors within the Municipal District of Ballybay - Clones with the most detailed up to date information, we would propose to make a presentation to you all at an agreeable time for you in March/April.

If in the meantime if you or any member of the community, you meet is seeking any further information please do not hesitate to contact me or one of my colleagues listed. All contact details are listed on our Information Leaflet and Website. A community fund in accordance with the Irish Wind Energy Association (IWEA) best practice will be available and is also detailed on our website and Information Leaflet.

Thanking you,

Kind regards,

Malachy Magee
Business Development
Community Relations Manager

Galetech Energy
Clondargan
Stradone,
Co. Cavan
Ireland
H12 NV06
Tel. +353 (0) 49 555 5050
Mobile. +353 (0) 87 669 0803

malachy@galetechenergy.com
www.galetechenergy.com

This communication contains information that is confidential and may also be privileged. It is for the exclusive use of the intended recipient(s). If you are not the intended recipient please note that any distribution, copying or use of this communication or the information in it is strictly prohibited. If you received this communication in error please notify by email or telephone +353(0)49 5555050 and then delete the email and any copies of it. Thank you.

Simon Carleton

From: Malachy Magee [malachy@galetechenergy.com]
Sent: Wednesday 13 February 2019 11:13
To: 'hugh.mcelvaney@cllr.monaghancoco.ie'
Cc: 'James Carville'; 'Steven Drury'
Subject: Drumlins Park proposed Wind Farm - consultation
Attachments: Drumlins Park Information Sheet.pdf

Hi Hugh ,

Thank you for taking my call yesterday about our proposed wind farm development at Killyleg and surrounding townlands in the Drum- Newbliss area known as Drumlins Park Wind Farm. I enclose a soft copy of our information leaflet attached for your information.

As I advised we have carried out our initial feasibility and baseline surveys and are presently undergoing community consultation and stakeholder engagement in the overall area. We will update our website www.drumlinsparkwindfarm.ie as further information is confirmed about our layout and engineering design proposals for our up to 8 Turbine wind farm.

In order to provide Councillors within the Municipal District of Ballybay - Clones with the most detailed up to date information, we propose to make a presentation to you all at an agreeable time for you in March/April.

If in the meantime if you or any member of the community, you meet is seeking any further information please do not hesitate to contact me or one of my colleagues listed. All contact details are listed on our Information Leaflet and Website. A community fund in accordance with the Irish Wind Energy Association (IWEA) best practice will be available and is also detailed on our website and Information Leaflet.

Thanking you,

Kind regards,

Malachy Magee
Business Development
Community Relations Manager

Galetech Energy

Clondargan
Stradone,
Co. Cavan
Ireland
H12 NV06

Tel. +353 (0) 49 555 5050

Mobile. +353 (0) 87 669 0803

malachy@galetechenergy.com

www.galetechenergy.com

This communication contains information that is confidential and may also be privileged. It is for the exclusive use of the intended recipient(s). If you are not the intended recipient please note that any distribution, copying or use of this communication or the information in it is strictly prohibited. If you received this communication in error please notify by email or telephone +353(0)49 5555050 and then delete the email and any copies of it. Thank you.

Simon Carleton

From: Malachy Magee [malachy@galetechenergy.com]
Sent: Wednesday 13 February 2019 11:13
To: 'cathy.bennett@cllr.monaghancoco.ie'
Cc: 'James Carville'; 'Steven Drury'
Subject: Drumlins Park Proposed Wind Farm - Consultation
Attachments: Drumlins Park Information Sheet.pdf

Hi Cathy,

Thank you for taking my call yesterday about our proposed wind farm development at Killyleg and surrounding townlands in the Drum- Newbliss area known as Drumlins Park Wind Farm. I enclose a soft copy of our information leaflet attached for your information.

As I advised we have carried out our initial feasibility and baseline surveys and are presently undergoing community consultation and stakeholder engagement in the overall area. We will update our website www.drumlinsparkwindfarm.ie as further information is confirmed about our layout and engineering design proposals for our up to 8 Turbine wind farm.

In order to provide Councillors within the Municipal District of Ballybay - Clones with the most detailed up to date information, we propose to make a presentation to you all at an agreeable time for you in March/April.

In the meantime if you or any member of the community you meet with is seeking any further information please do not hesitate to contact me or one of my colleagues listed. All contact details are listed on our Information Leaflet and Website. A community fund in accordance with the Irish Wind Energy Association (IWEA) best practice will be available and is detailed on our website and Information Leaflet.

Thanking you,

Kind regards,

Malachy Magee
Business Development
Community Relations Manager

Galetech Energy

Clondargan
Stradone,
Co. Cavan
Ireland
H12 NV06

Tel. +353 (0) 49 555 5050

Mobile. +353 (0) 87 669 0803

malachy@galetechenergy.com
www.galetechenergy.com

This communication contains information that is confidential and may also be privileged. It is for the exclusive use of the intended recipient(s). If you are not the intended recipient please note that any distribution, copying or use of this communication or the information in it is strictly prohibited. If you received this communication in error please notify by email or telephone +353(0)49 5555050 and then delete the email and any copies of it. Thank you.

Simon Carleton

From: Malachy Magee [malachy@galetechenergy.com]
Sent: Wednesday 13 February 2019 11:14
To: 'richard.truell@cldr.monaghancoco.ie'
Cc: 'James Carville'; 'Steven Drury'
Subject: Drumlins Park Proposed Wind Farm -Consultation
Attachments: Drumlins Park Information Sheet.pdf

Hi Richard,

Thank you for taking my call yesterday about our proposed wind farm development at Killyleg and surrounding townlands in the Drum- Newbliss area known as Drumlins Park Wind Farm. I enclose a soft copy of our information leaflet attached for your information.

As I advised we have carried out our initial feasibility and baseline surveys and are presently undergoing community consultation and stakeholder engagement in the overall area. We will update our website www.drumlinsparkwindfarm.ie as further information is confirmed about our layout and engineering design proposals for our up to 8 Turbine wind farm.

In order to provide Councillors within the Municipal District of Ballybay - Clones with the most detailed up to date information, we propose to make a presentation to you all at an agreeable time for you in March/April .

If in the meantime if you or any member of the community, you meet is seeking any further information please do not hesitate to contact me or one of my colleagues listed. All contact details are listed on our Information Leaflet and Website. A community fund in accordance with the Irish Wind Energy Association (IWEA) best practice will be available and is also detailed on our website and Information Leaflet.

Thanking you,

Kind regards,

Malachy Magee
Business Development
Community Relations Manager

Galetech Energy

Clondargan
Stradone,
Co. Cavan
Ireland
H12 NV06

Tel. +353 (0) 49 555 5050

Mobile. +353 (0) 87 669 0803

malachy@galetechenergy.com
www.galetechenergy.com

This communication contains information that is confidential and may also be privileged. It is for the exclusive use of the intended recipient(s). If you are not the intended recipient please note that any distribution, copying or use of this communication or the information in it is strictly prohibited. If you received this communication in error please notify by email or telephone +353(0)49 5555050 and then delete the email and any copies of it. Thank you.

Simon Carleton

From: Malachy Magee [malachy@galetechenergy.com]
Sent: Wednesday 13 February 2019 11:13
To: 'sean.gilliland@cllr.monaghancoco.ie'
Cc: 'James Carville'; 'Steven Drury'
Subject: Drumlins Park Proposed Wind Farm -consultation
Attachments: Drumlins Park Information Sheet.pdf

Hi Sean,

Thank you for taking my call yesterday about our proposed wind farm development at Killyleg and surrounding townlands in the Drum- Newbliss area known as Drumlins Park Wind Farm. I enclose a soft copy of our information leaflet attached for your information.

As I advised we have carried out our initial feasibility and baseline surveys and are presently undergoing community consultation and stakeholder engagement in the overall area. We will update our website www.drumlinsparkwindfarm.ie as further information is confirmed about our layout and engineering design proposals for our up to 8 Turbine wind farm.

In order to provide Councillors within the Municipal District of Ballybay - Clones with the most detailed up to date information, we propose to make a presentation to you all at an agreeable time for you in March/April.

If in the meantime if you or any member of the community, you meet is seeking any further information please do not hesitate to contact me or one of my colleagues listed. All contact details are listed on our Information Leaflet and Website. A community fund in accordance with the Irish Wind Energy Association (IWEA) best practice will be available and is also detailed on our website and Information Leaflet.

Thanking you,

Kind regards,

Malachy Magee
Business Development
Community Relations Manager

Galetech Energy
Clondargan
Stradone,
Co. Cavan
Ireland
H12 NV06
Tel. +353 (0) 49 555 5050
Mobile. +353 (0) 87 669 0803

malachy@galetechenergy.com
www.galetechenergy.com

This communication contains information that is confidential and may also be privileged. It is for the exclusive use of the intended recipient(s). If you are not the intended recipient please note that any distribution, copying or use of this communication or the information in it is strictly prohibited. If you received this communication in error please notify by email or telephone +353(0)49 5555050 and then delete the email and any copies of it. Thank you.

Appendix 2 – Brochure (January 2019 – March 2019)

Drumlins Park Wind Farm

www.drumlinsparkwindfarm.ie



Drumlins Park Wind Farm Project is a proposed wind energy development of up to 7 wind turbines with a typical output of 4-5 megawatts per turbine of renewable electricity providing up to 25,400* Irish households with green energy approximately every year. The proposed development is contained within the area of Killyleg and surrounding townlands.

The proposed development is being designed to the latest best industry standards and we are appealing to local residents to have their say at an early stage of the development so as to maximise the project benefits to the neighbouring community.

www.drumlinsparkwindfarm.ie

PROJECT MILESTONES AND TIMELINES

June 2017-June 2018
Initial Project Feasibility & Baseline Surveys

June 2018 - June 2019
Community Consultation & Stakeholder Engagement

June 2018 - June 2019
Detailed Surveys & Engineering Design

April/May 2019
Final Turbine Layout & Design Proposals

June 2019
Planning Application completion & submission

June 2019 -April 2021
Planning Decision from Planning Authority

The proposed wind farm will give rise to a range of benefits including up to 100 workers employed on the project at peak. It will also support long term high quality technical jobs in operation and maintenance as well as ancillary functions.

A community fund in accordance with the Irish Wind Energy Association(IWEA) best practice will be available to the community at a rate of €2 per MWh x 117,000MWh** produced approximately each year for up to 15 years.

There will also be a community investment element available where there will be an opportunity for all local residents to participate.

*based on CRU 2017 annual report of 4,200KWhrs electricity consumption per household per annum based on an average dwelling

**based on best estimates for energy production using SEAI Wind Atlas and typical wind turbine of the proposed size and scale. Energy yields will vary in a given year depending on wind speed and other factors.

CONTACTS

Steven Drury, Community Liaison Officer (CLO)

T. +353 (0) 49 489 0023

M. +353 (0) 86 150 0258

E. steven@drumlinsparkwindfarm.ie

W. www.drumlinsparkwindfarm.ie

Malachy Magee, Community Engagement

T. +353 (0) 49 489 0021

M. +353 (0) 87 6690803

E. malachy@drumlinsparkwindfarm.ie

W. www.drumlinsparkwindfarm.ie

Thomas Farrell, Community Engagement

M. + 353 (0) 86 8598135

E. thomas@drumlinsparkwindfarm.ie

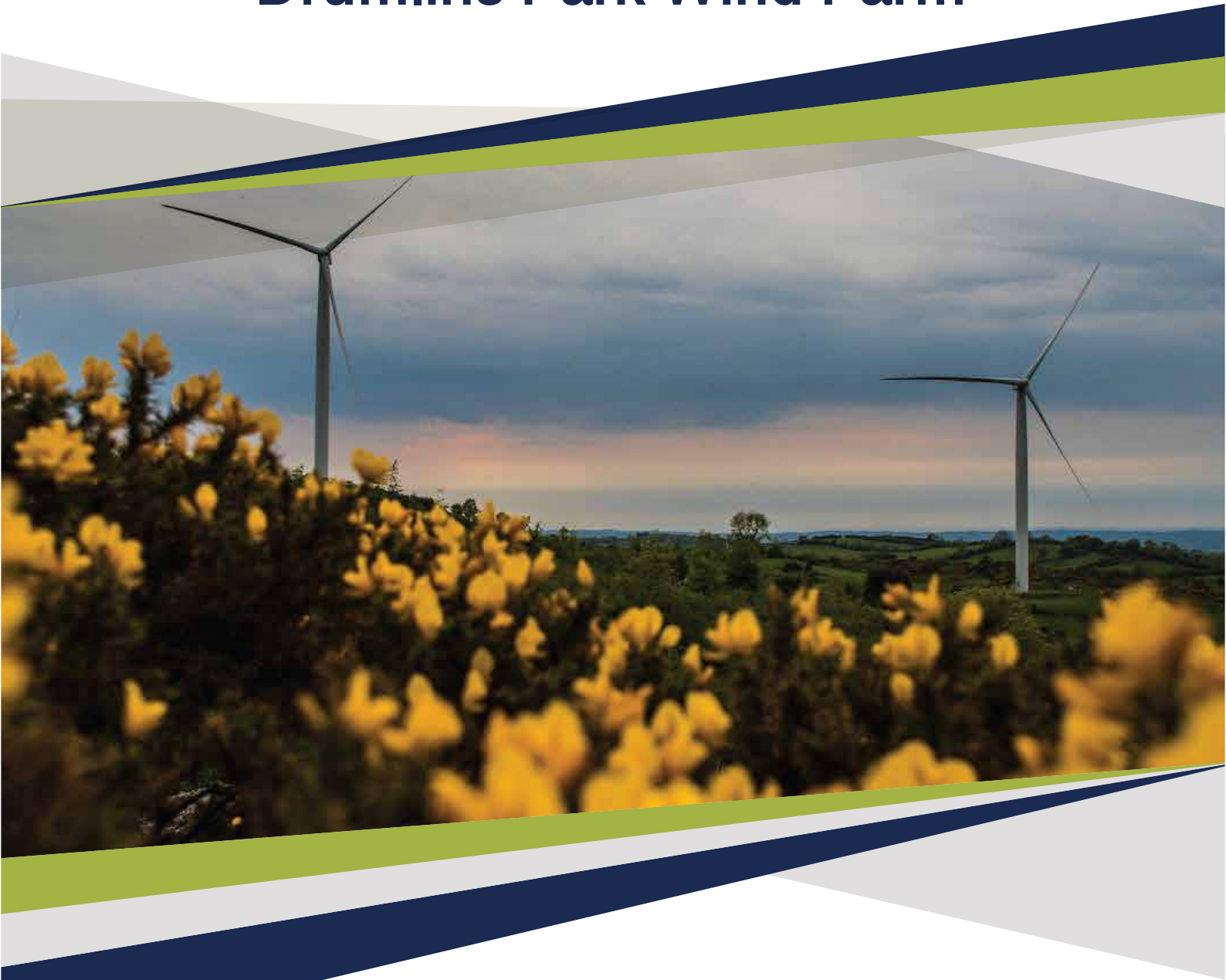
W. www.drumlinsparkwindfarm.ie

Drumlins Park Ltd.
Clondargan, Stradone,
Co. Cavan, Ireland H12NV06.

www.drumlinsparkwindfarm.ie

Appendix 3 – Brochure (April 2019 – present)

Drumlins Park Wind Farm

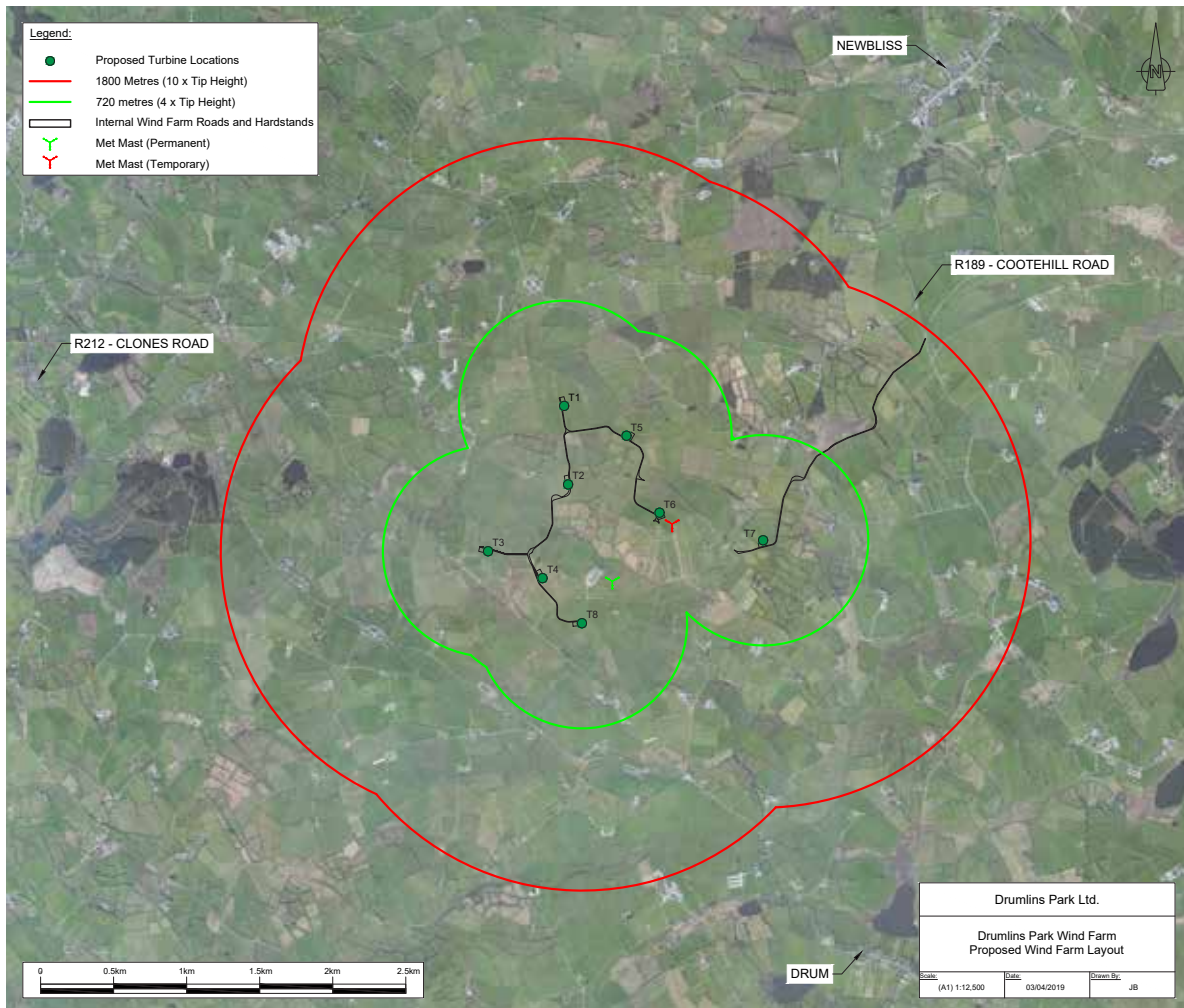


Drumlins Wind Park was established in 2017. Project partners include Galetch Energy Developments, Storm Wind Power and General Electric (GE). Combined, they have developed over 300MW of operating wind farms in Ireland. Drumlins Park Wind Farm is a proposed wind energy development of up to eight wind turbines with a typical output of 4-5 megawatts per turbine of renewable electricity providing approximately over 29,500* Irish households with green energy every year.

The proposed development is being designed to the latest best industry standards and we are appealing to local residents to have their say at an early stage of the development so as to maximise the project benefits to the neighbouring community.

First Public Consultation Day with local community - Tuesday 30th April 2019 between 12am and 8pm at the Acorn Centre, Newbliss, H18FY79. There are further consultation days planned for 28th May 2019 and 25th June 2019

www.drumlinsparkwindfarm.ie



Proposed Project:

Assessment work at the proposed Drumlins Park wind farm site has shown that it is capable of accommodating up to 40 Megawatts (MW) of installed generating capacity. The Project will essentially comprise of up to 8 wind turbines (4-5 megawatts). Apart from the turbines themselves, the other principal components of the wind farm are the foundations to support the turbine towers, access roads, crane hard-standings, underground cables between the turbines, on-site electricity substation and an electrical connection to the appropriate node on the National Grid. The exact type of turbine that will be used has not yet been finalised, however in order not to underestimate any potential impacts, the largest physical dimensions of all of the wind turbines under construction have been used to assess the visual impact of the project. The maximum turbine envelope has a blade tip height of 180 meters. It is intended to submit a planning application to Monaghan County Council for the proposed project in July 2019.

The Need for Wind Farm Capacity

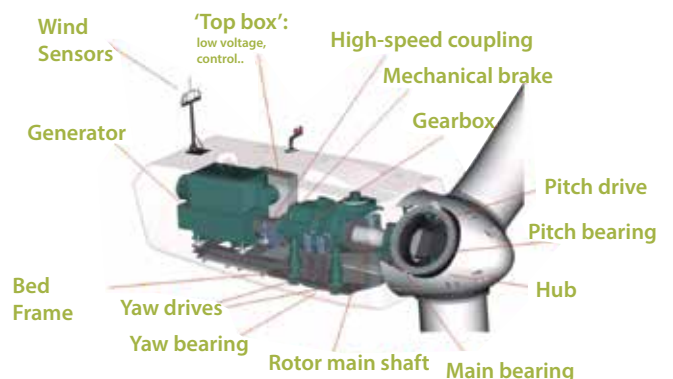
Government policy has set a target for 70% of the electricity consumed in 2030 to be generated from renewable resources, It is acknowledged that wind energy will provide the main component of Ireland’s renewable electricity at that time in order to play it’s part in achieving the European climate and energy ambitions.

How Wind Turbines Operate:

Wind turbines convert the kinetic energy in wind to generate electricity. To create electricity from wind, the blades capture the wind which drives the shaft connected to a gear box as shown in figure 2.

The Tubular towers, carrying the nacelle and rotor, are made of steel or concrete and taper from their base to the top. The nacelle which carries the generator and rotor are designed to rotate 360 degrees, or “yaw”, in order to face the prevailing wind.

Figure 2 – Nacelle & Hub Components



Safety

Safety is number 1 in the construction and operational phase of all our projects. There will be an opportunity to visit one of our operational wind farms to see how committed we are to health and safety by setting the highest standards.

Environment

Wind power is a low-carbon energy source. When a wind turbine generates electricity it produces virtually zero carbon emissions. The development of clean wind energy avoids significant carbon dioxide (CO₂) pollution. In 2018, wind energy met a record 29 % of our electricity demand, the second highest in Europe and the highest in onshore wind.

Winds as % Demand

	Northern Ireland	Ireland	All Island
2014	17%	18%	18%
2015	21%	23%	22%
2016	20%	21%	21%
2017	27%	25%	25%
2018	31%	29%	29%

***Figures correct on 07/06/2018*

** 65 % renewable energy on the national power system at any given time, a milestone reached in April 2017. Drumlins Park Wind Farm will supply the needs of approximately 29,500 * homes with green energy every year.



Photomontage of Drumlins Park Wind Farm from R189 road.

Benefits of the Development

At National Level, the proposed Drumlins Park Wind Farm will play a worthy part in assisting Ireland's commitment to increasing its renewable energy sources in the post 2020 period with the production of renewable electricity. Our Government's new pledge on the 25 th March 2019 to generate 70% of electricity from renewable sources by 2030 is an increase from its previous target of 55% and will form part of the new climate action plan that is being overseen by the present Minister for Communications, Climate Action, and the Environment. Our proposed Drumlins Park project will contribute in reducing our total National greenhouse gas emissions. In doing so, it will reduce our dependence on external energy sources and help to improve our energy security of supply.

At Regional Level, this new proposed development will help to meet the rising demand for electricity especially renewable electricity, resulting from renewed economic growth in this border region. The construction phase will create additional employment in the region through the supply of services and materials to the proposed wind farm. In combination with other wind farms developed by our overall group in the region it will help to secure the company's future as a sustainable energy supplier.

At Local Level, it will ensure the continuity of enterprise and employment in the area. It is expected that up to 100 workers would be employed on the project at peak. It will also support long term high quality technical jobs in operation and maintenance as well as ancillary functions. Once in operation the rates that will be paid by Drumlins Park Wind Farm to Monaghan County Council will support the provision of local services. A range of other benefits associated with the development will be provided to the community. There will be a community fund set up in accordance with the Irish Wind Energy Association (IWEA) best practice and it will be available to the community at a rate of €2 euro per MWh produced x 136,000 MWh ** approximately each year for up to 15 years. There will also be a community investment element available where there will be an opportunity for all local residents to participate if they so wish.

PROJECT MILESTONES AND TIMELINES

June 2017-June 2018

Initial Project Feasibility & Baseline Surveys

June 2018 - June 2019

Community Consultation & Stakeholder Engagement

June 2018 - June 2019

Detailed Surveys & Engineering Design

April/May 2019

Final Turbine Layout & Design Proposals

July 2019

Planning Application completion & submission

July 2019 -May 2021

Planning Decision from Planning Authority

Local Impacts:

Surveys are currently being carried out to assess the impact of the proposed development on the local environment. The impacts on the local environment and the proposed mitigation measures, will be included in an Environmental Impact Statement (EIAR) which will form part of the planning application for the project to be lodged in June 2019. There will be opportunities to view and discuss EIAR during future community engagement events planned.

Community Engagement:

Our First Public Consultation Day is planned with the local community on Tuesday 30th April 2019 between 12 am and 8 pm at the Acorn Centre, Newbliss, Co. Monaghan H18FY79, with two further events planned for the 28th May and the 25th June 2019. Our staff will be available to discuss the project in more detail and address any queries.

Along with the above community engagement open days, Drumlins Park Wind Farm will continue to engage with the local community through:

Door to Door calls

Project web site : www.drumlinsparkwindfarm.ie

Local Community Groups

Community Liaison officer

CONTACTS

Steven Drury, Community Liaison Officer (CLO)

T. +353 (0) 49 489 0023

M. +353 (0) 86 150 0258

E. steven@drumlinsparkwindfarm.ie

W. www.drumlinsparkwindfarm.ie

Malachy Magee, Community Engagement

T. +353 (0) 49 489 0021

M. +353 (0) 87 6690803

E. malachy@drumlinsparkwindfarm.ie

W. www.drumlinsparkwindfarm.ie

Thomas Farrell, Community Engagement

M. + 353 (0) 86 8598135

E. thomas@drumlinsparkwindfarm.ie

W. www.drumlinsparkwindfarm.ie

*based on CRU 2017 annual report of 4,200KWhrs electricity consumption per household per annum based on an average dwelling

**based on best estimates for energy production using SEAI Wind Atlas and typical wind turbine of the proposed size and scale. Energy yields will vary in a given year depending on wind speed and other factors.

Drumlins Park Ltd.
Clondorgan, Stradone,
Co. Cavan, Ireland H12NV06.

www.drumlinsparkwindfarm.ie